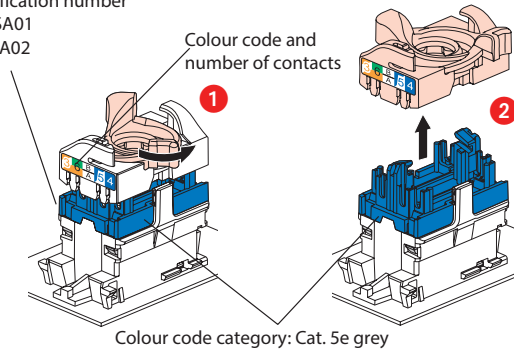


1. INTRODUCTION

Plexo Cat. 6 RJ45 sockets - IP 55 closed flap IK 07

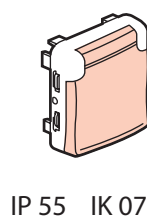
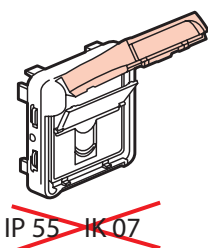
Identification number
 UTP: SA01
 FTP: SA02



2. DESCRIPTION

- Fast-connection tool-free sockets with connector
- Take single-core cables from AWG 22 up to AWG 26, and AWG 26 multicore cables
- Contacts marked with dual colour code and numbers 568 A and B
- Conforming to standards ISO/IEC 11801 edition 3.0 (2017) and EIA/TIA 568 C2-1
- Protection against water, dust
- For industrial sites
- UTP or FTP socket
- Grey

Cat. No.	Category	UTP	FTP
0 695 61	6	X	
0 695 69	6		X



3. TECHNICAL CHARACTERISTICS

3.1 Materials

Contacts: gold/nickel, minimum gold thickness >0.8 μm
 Metal parts: bronze, nickel, platinum, gold
 Polycarbonate, PBT, PP
 For STP products, the body and the spreader are made of metal alloy with copper/nickel coating.

3.2 Electrical characteristics

Breakdown voltage ≥1000 V
 Contact resistance ≤20 mΩ
 Insulation resistance ≥ 500 MΩ at 100 VDC
 Connector tested and guaranteed under POE signal stress, standard IEEE 802.3af and POE+, draft standard 802.3at, up to 2500 load connections/disconnections.
 Tests are carried out with 2 simultaneous POE+ circuits for a minimum total power of 50 W.

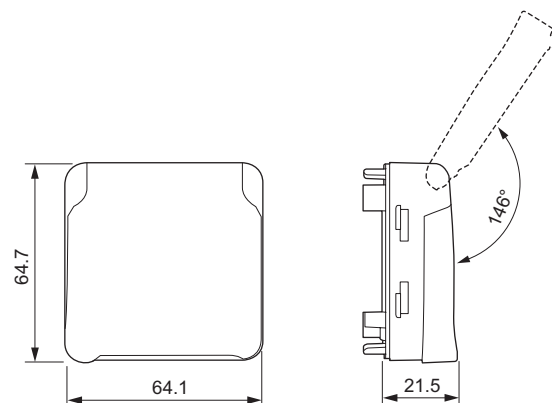
3.3 Mechanical characteristics

Max. number of connections and disconnections: 5 without replacing the wire
 Endurance: 2500 operations (mating/extraction)
 IK03

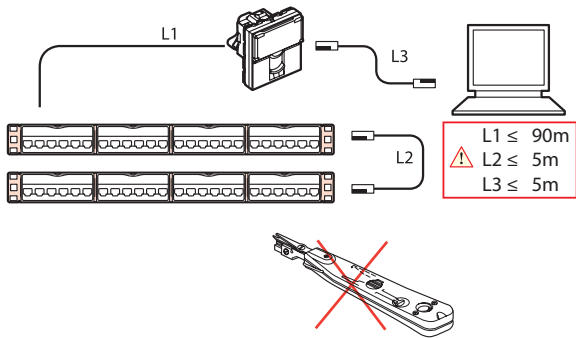
3.4 Climate characteristics

Operating temperatures: -40°C to +70°C
 Humid heat 21-day cycle

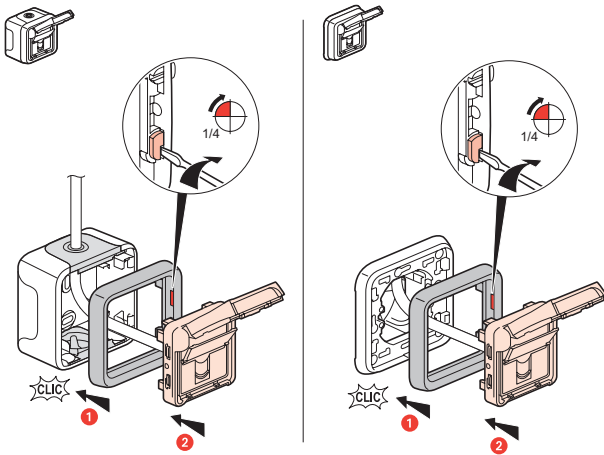
4. DIMENSIONS



5. INSTALLATION



Plexo RJ45 sockets can be flush- or surface-mounted, on all single-gang, multi-gang boxes and cable glands in the Plexo range.



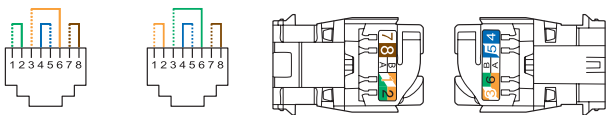
6. TYPICAL RJ45 CONNECTION

Takes the following plugs:

RJ11 (4 contacts), RJ12 (6 contacts), RJ45 (9 contacts).

EIA/TIA 568 A and B dual colour code on terminals:

- UTP (8 contacts)
- FTP (9 contacts)

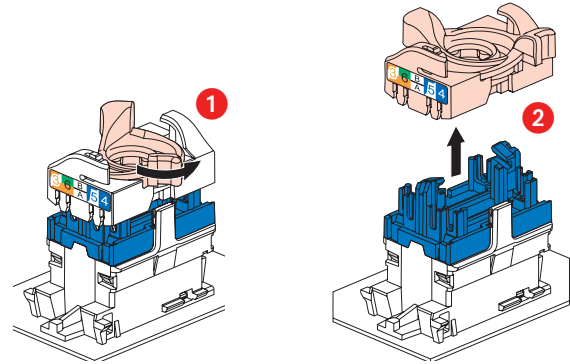


Permissible conductors:

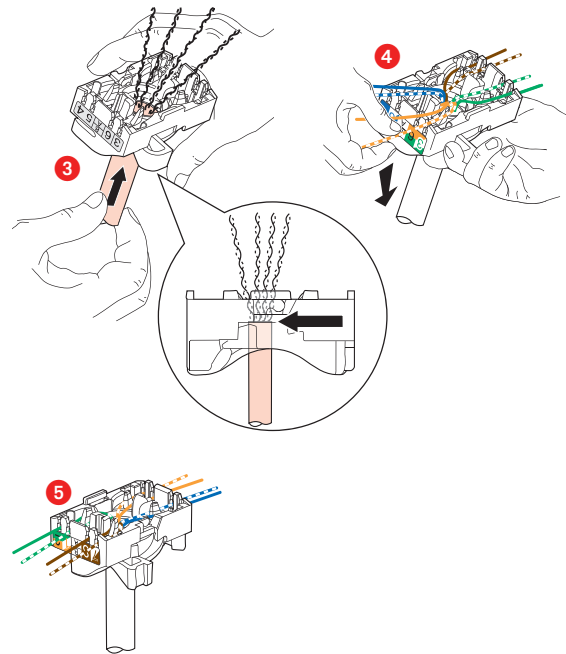
- Single-core: 0.5 to 0.65 mm, AWG 22 to 25
- Multicore: AWG 26
- Polyethylene conductor insulation: max. insulation Ø: 1.58 mm

Number of wires to be connected per connection: 1

RJ45 connectors are equipped with a locking nut. They do not require a special tool and can be re-wired if a mistake is made.



This system makes it easy to spread pairs before fitting them onto the connector.

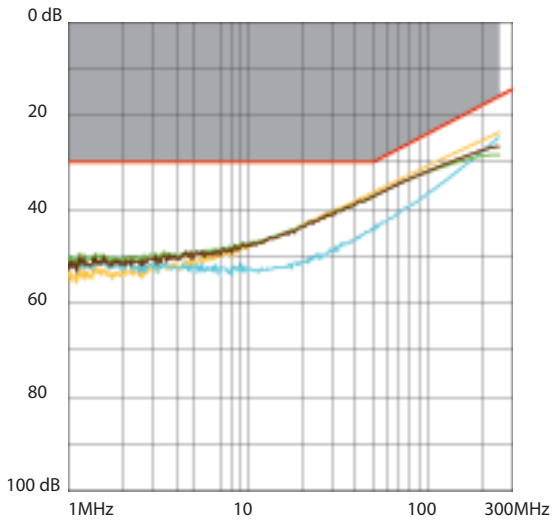


Spreading the cables allows you to ensure that a pair-breakage distance of 13 mm is kept between each pair. Spreading pairs at 90° to the cable ensures the best possible performance.

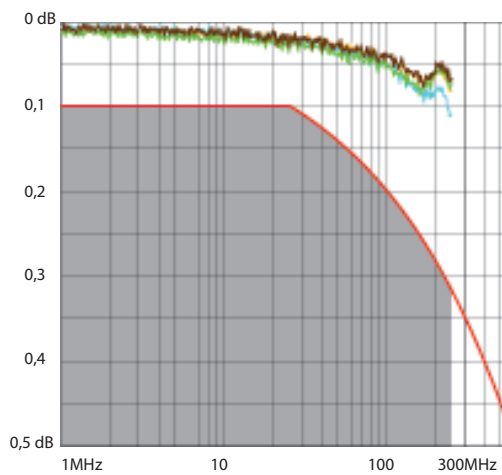
7. PERFORMANCE

7.1 Performance of components (RJ45 connectors)

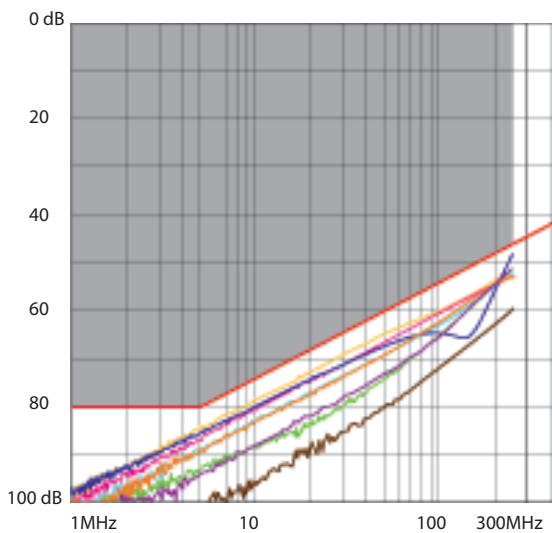
Return loss



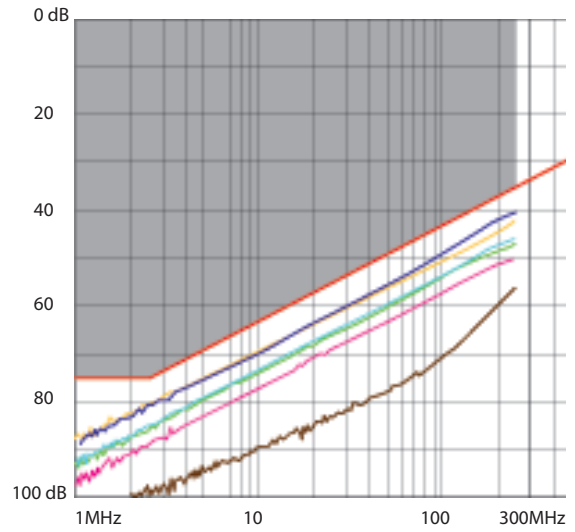
Attenuation



NEXT (Near End Crosstalk Attenuation)

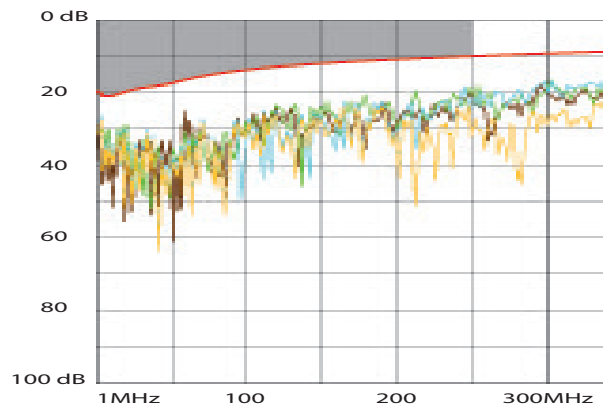


FEXT (Far End Crosstalk Attenuation)

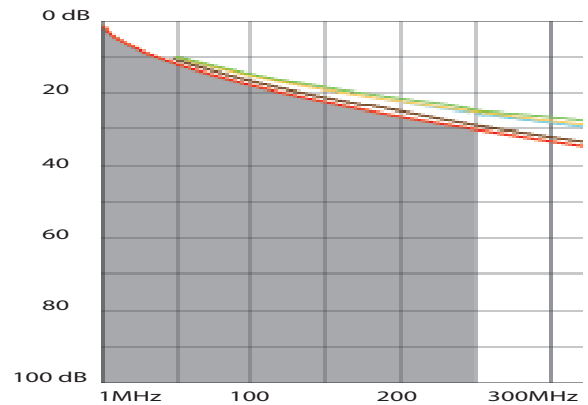


7.2 Performance of permanent link with F/UTP cable

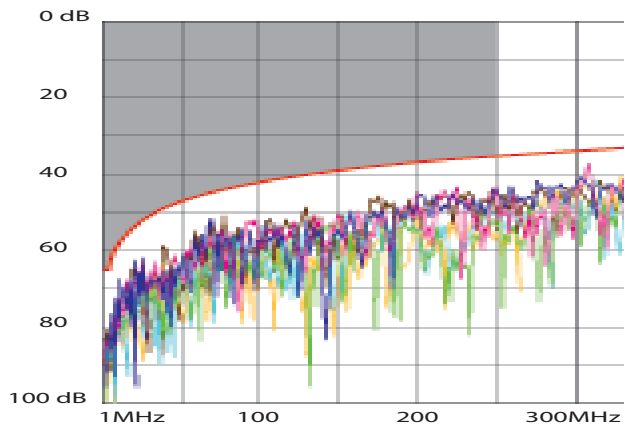
Return loss



Attenuation



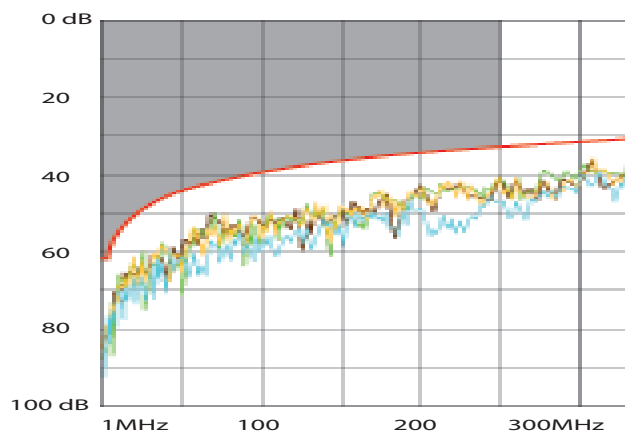
NEXT (Near End Crosstalk Attenuation)



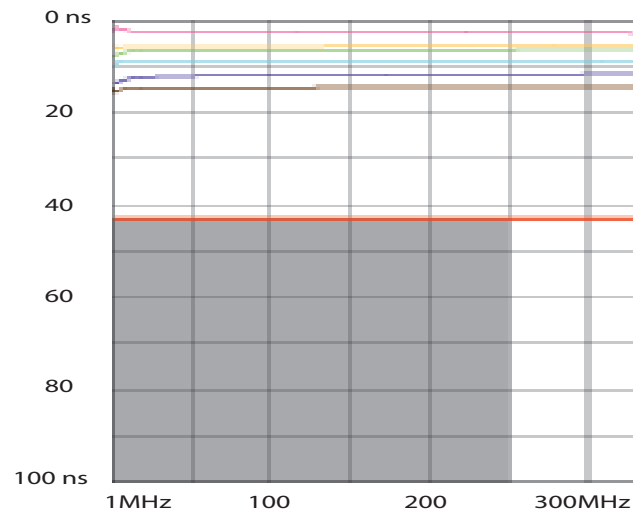
ELFEXT (Equal Level Far End Crosstalk Attenuation)



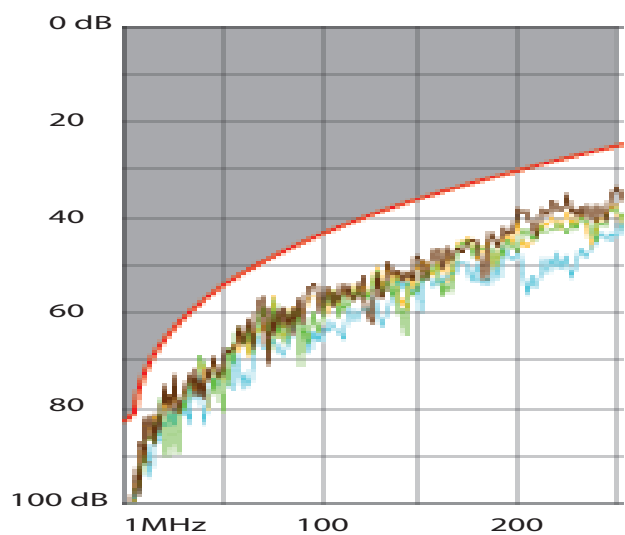
PS NEXT (Power Sum NEXT)



Delay skew



ACR (Attenuation to Crosstalk Ratio)



8. STANDARDS AND APPROVALS

Conforming to standards:
 ISO/IEC 11801 Ed2 and Amd.
 CENELEC EN 50173-1 2007
 ANSI/EIA/TIA 568-C.2
 EC 60603-7 series