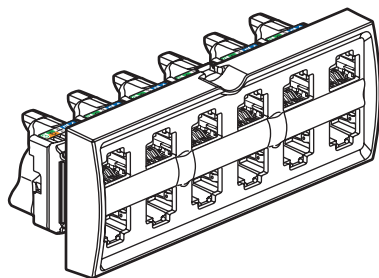


LCS² 6 double RJ45 port connector module

Catalogue number(s): 335 35/36/37/38/39

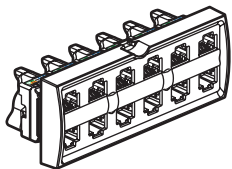


CONTENTS	Page
1. General characteristics	1
2. Presentation	1
3. Use Scenarios	1
4. Technical characteristics	1
5. Installation	2
6. Overall dimensions	2
7. Connection	2
8. Standards and approvals	3

1. GENERAL CHARACTERISTICS

The double-port connector module allows two applications to be used at the same time on a single 4-pair cable: phone/phone, phone/data, data/data. The ethernet speed is 10/100 Mbit/s.

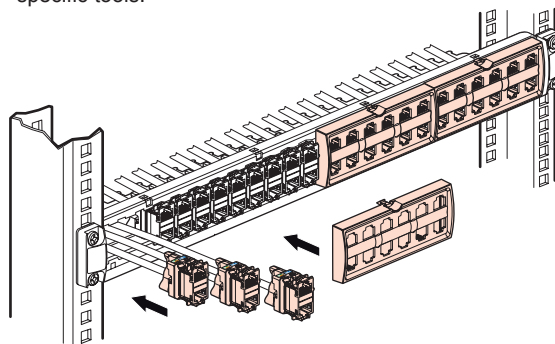
The double socket is used in association with another double socket of the same type (PHONE/PHONE, PHONE/DATA, DATA/DATA) on the terminal socket.



Designation	UTP	FTP	Weight (g)
Double RJ 45 port connector module UTP TEL/TEL	335 35		85
Double RJ 45 port connector module UTP TEL/DATA	335 36		85
Double RJ 45 port connector module FTP TEL/DATA		335 37	85
Double RJ 45 port connector module UTP DATA/DATA	335 38		85
Double RJ 45 port connector module FTP DATA/DATA		335 39	85

3. USE SCENARIOS

The connectors are installed from the front side without the need for specific tools.



- Connectors are clipped individually onto the panel
- The label holder/faceplate ensures a perfect finish for the 6 connectors it covers.

4. TECHNICAL CHARACTERISTICS

4.1 Material characteristics

Contacts: gold/nickel, thickness of gold > 0.8 µm min.
Metal parts: bronze, nickel, platinum, gold
PBT polycarbonate

4.2 Mechanical characteristics

Max. number of connections and disconnections: 5 without refreshing the cable
Endurance: 2500 movements (plug insertion/withdrawal)
IK03

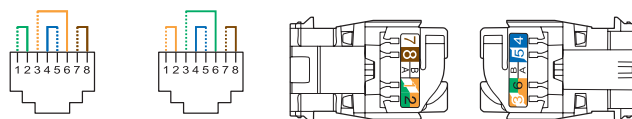
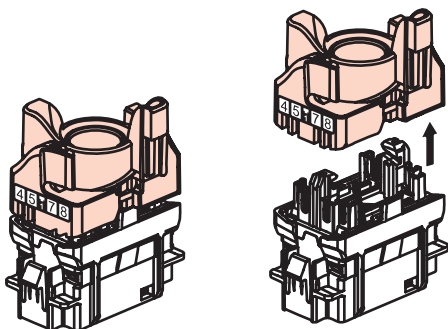
4.3 Climatic characteristics

Operating temperature: -40°C to +70°C
Humid heat cycle 21 days

4.4 Electrical characteristics

Breakdown voltage ≥ 1000 V
Contact resistance ≤ 20 mΩ
Insulation resistance ≥ 500 MΩ at 100 V DC

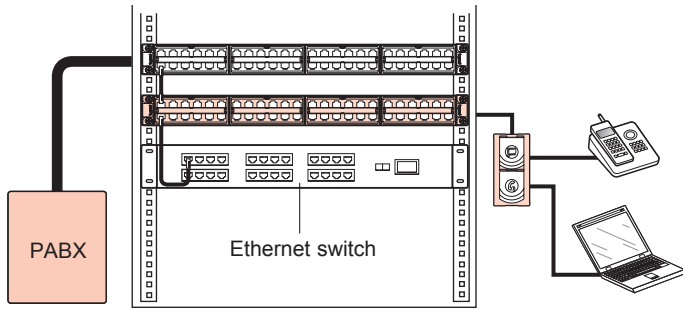
2. PRESENTATION



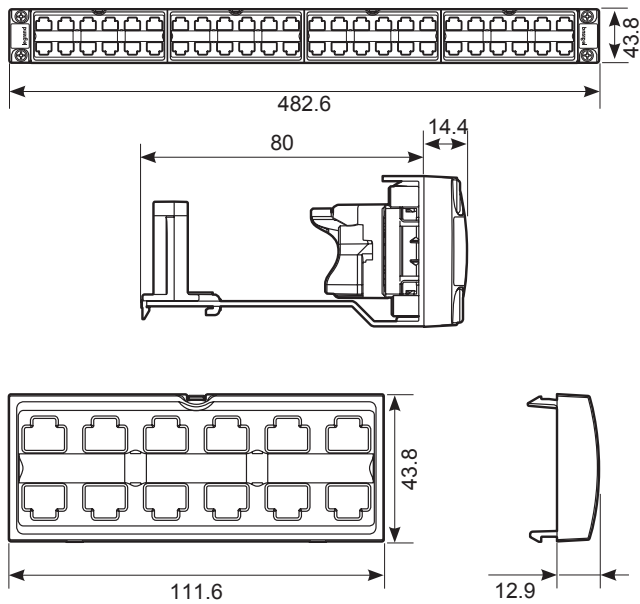
LCS² 6 double RJ45 port connector module

Catalogue number(s): 335 35/36/37/38/39

5. INSTALLATION

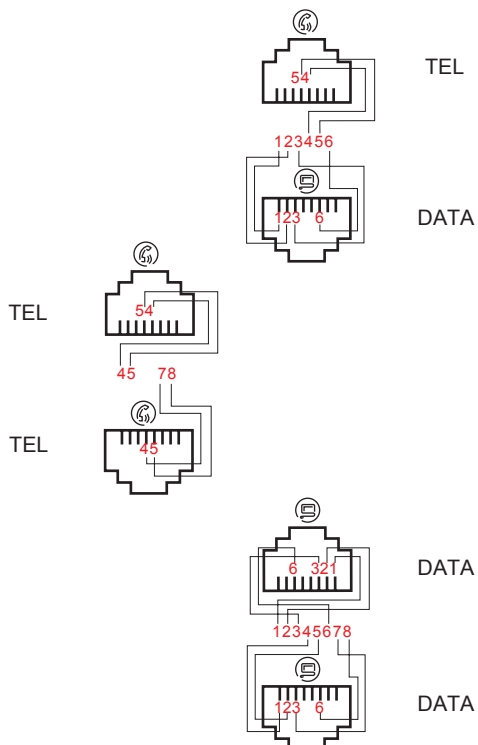


6. OVERALL DIMENSIONS



7. CONNECTION

The following connections are to be respected according to the type of double socket:



7. CONNECTION

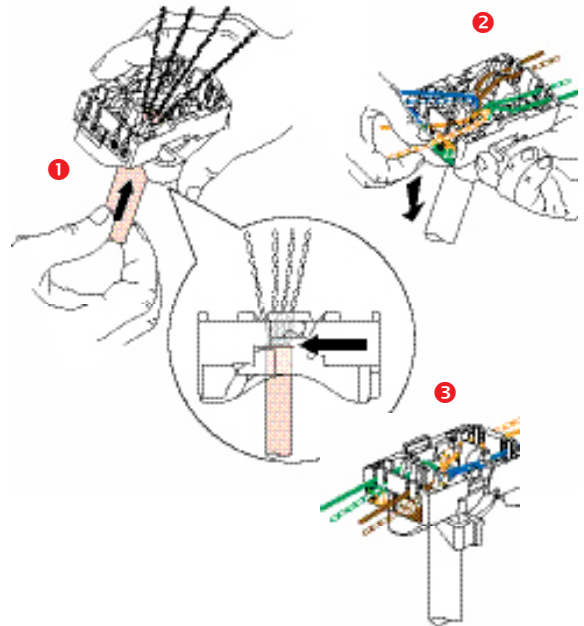
Accepts the following cable connectors:
RJ11 (4 contacts), RJ12 (6 contacts), RJ45 (9 contacts).
Double colour code EIA – TIA 568 A and B on terminals:
- UTP 8 contacts
- FTP 9 contacts



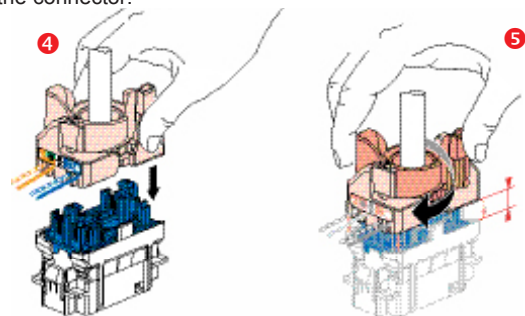
Conductors supported:

- Single-strand: 0.5 to 0.65 mm, AWG 22 to 25
- Multi-strand: AWG 26
- Polyethylene conductor insulation: max. Ø with insulation 1.58 mm.

The RJ45 connectors are equipped with a rotating locking system that does not require special tools and enables rewiring in the event of error.



It therefore ensures the simultaneous connection of the cable strands.
This system allows the wire pairs to be spread easily before attaching them to the connector.



Spreading the wires ensures that pairs are separated by the required 13 mm.
Spreading the pairs at 90° in relation to the cable ensures the best performance levels.

6 double RJ45 port connector module

8. STANDARDS AND APPROVALS

Connector tested and guaranteed to support POE signals, standard IEEE 802.3af and POE+, draft standards 802.3at, up to 2500 connections and disconnections with load.

Tests are carried out with 2 simultaneous POE+ circuits producing a minimum total power of 50W.