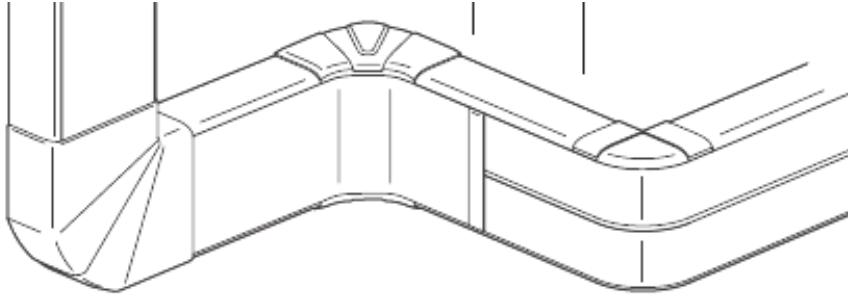


DLP full aluminium

Number(s) : 0 111 00 à 11, 0 111 14 à 15, 0 111 58 à 0 111 63,
0 111 66 à 70, 0 111 88 à 0 111 92, 0 112
02/03/04/06/08/12/13/14/16/18/20/21/22/27/28/29/30/31/32/38/39/4
0, 0 112 42 à 48, 0 112 50 à 54, 0 106 81/82, 0 109 27, 0 308 81



CONTENTS	PAGES
1. Range	1 to 2
2. Finishing accessories	3 to 6
3. Supports	7 to 8
4. Complementary accessories	9 to 11
5. Material characteristics	11
6. Technical characteristics	12 to 13

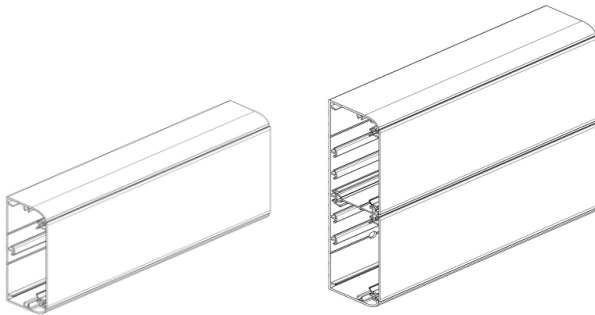
1. RANGE

The system of distribution DLP full aluminium 6060-T5 anodic natural offers:

- perfect flexible installations in time.
- the distribution, the protection and the derivation of cables in an electrical installation.
- trunkings, accessories of completion and advance (end, joint of lid, joint of body, interior angle, exterior angle, flat angle, derivation)

1.1 Bodies DLP aluminium.

To be composed following the needs on the site.



Bodies ref. 11100/01/02/03/04/05/14

Delivered in length of 2m without cover
Color natural anodized aluminium.

Fixing by:

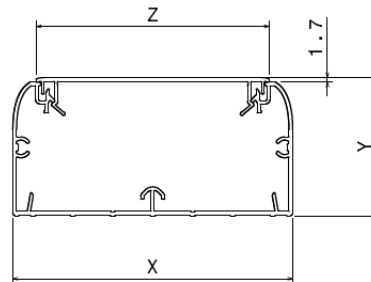
- wall plugs for immediate fixing (without screw nor nail ref. 0 308 99)
- DLP rapid wall plug ref 0 308 97 (for 10mm maxi plasterboard walls at least 20mm away from the concrete surface)
- Spit end cap ref 0 106 95 (for rapid fixing of trunkings with the spit Palsa 700E)
- screw, nails...

Cut out using a saw (standard hacksaw) and of a cut box (réf. 0 306 98)
Possibility of adapting separation partition or division partition.

1. RANGE (continued)

1.1 Bodies DLP aluminium (suite).

Dimensions of trunkings :



References	X(mm)	Y(mm)	Z(mm)
0 111 14	105	52	65
0 111 00	105	52	87.5
0 111 01	105	67	87.5
0 111 02	150	52	132.5
0 111 03	150	67	132.5
0 111 04	195	52	177.5
0 111 05	195	67	177.5

Wiring capacity.

Reference	Body	Cover	Section (mm ²)	Ø maxi (mm ²)
0 111 14	105x50	65	4380	2x36
0 111 00	105x50	85	4300	42
0 111 01	105x65	85	5740	55
0 111 02	150x50	2x65	2x2930	42/42
0 111 03	150x65	2x65	2x3960	51/51
0 111 04	195x50	2x85	2x3940	42/42
0 111 05	195x65	2x85	2x5310	55/55

DLP full aluminium

Number(s) : 0 111 00 à 11, 0 111 14 à 15, 0 111 58 à 0 111 63,
0 111 66 à 70, 0 111 88 à 0 111 92, 0 112
02/03/04/06/08/12/13/14/16/18/20/21/22/27/28/29/30/31/32/38/39/4
0, 0 112 42 à 48, 0 112 50 à 54, 0 106 81/82, 0 109 27, 0 308 81

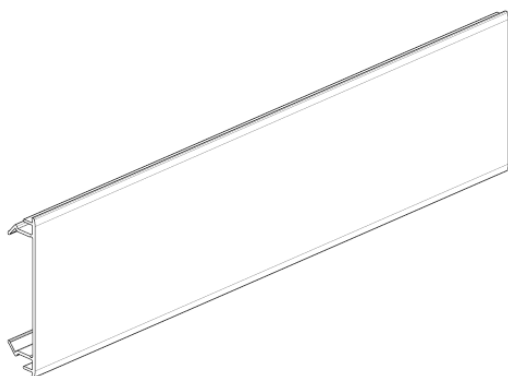
1. RANGE (continued)

1.1 Bodies DLP aluminium (continued).

Thickness of trunkings :

body 80x65	bottom 1.7mm / sides 1.5mm
body 105x50cv65	bottom 1.6mm / sides 1.5mm
body 105x50	bottom 1.5mm / sides 1.4mm
body 150x50	bottom 1.7mm / sides 1.5mm
body 195x50	bottom 2.2mm / sides 1.8mm
body 105x65	bottom 1.7mm / sides 1.5mm
body 150x65	bottom 1.7mm / sides 1.5mm
body 195x65	bottom 2.2mm / sides 1.8mm

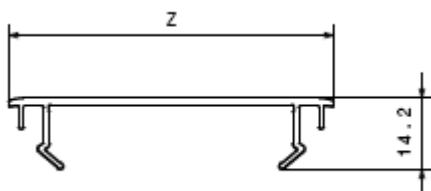
1.2. Full rigid covers



Covers of aluminium trunking ref. : 0 111 10/11
Delivered in length of 2m
Color natural anodized aluminium.

Cut out using a saw (standard hacksaw) and of a cut box
(réf. 0 306 98)

Dimensions of covers :



Reference	Designation	Z(mm)
0 111 10	Cover 65	65
0 111 11	Cover 85	87.5

Assembly body-lid by clipsage, disassembling with a tool

Thickness of covers :

Cover 65	1.3mm
Cover 85	1.5mm

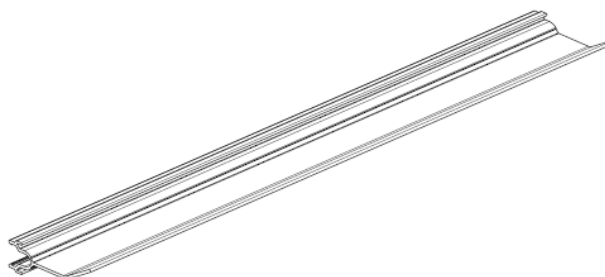
1. RANGE (continued)

1.3. Partitions

1.3.1. Separation partition ref. 0 111 08/09

Delivered in length of 2m
Color natural anodized aluminium.

For the separation of various types of currents allows (sector,
telephone, data processing...)
Assembly with the body by clipsage.



Reference	To use with references
0 111 08	0 111 00/02/04/14
0 111 09	0 111 01/03/05

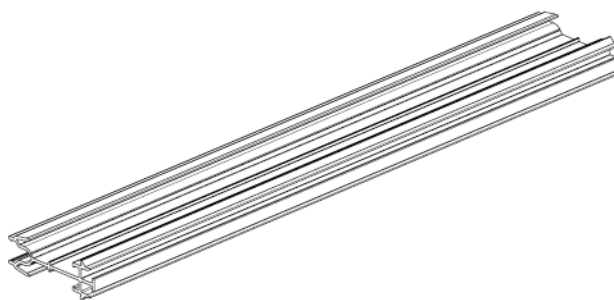
Thickness of separation partition :

Separation partition H50	1.2mm
Separation partition H65	1.2mm

1.3.2. Division partition ref. 0 111 06/07.

Delivered in length of 2m
Color natural anodized aluminium.

For the separation or division of various types of currents allows
(sector, telephone, data processing...)
Assembly with the body by clipsage.



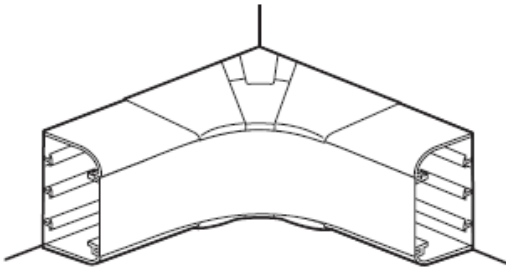
Reference	To use with references
0 111 06	0 111 02/04
0 111 07	0 111 03/05

Thickness of division partition :

Division partition H50	1.2mm
Division partition H65	1.2mm

2. FINISHING ACCESSORIES

2.1 Internal angle ref. 0 112 20/21/22/27/28/29/30.



The junction in interior angle of two pieces of the same section:

- the cut of miter avoids on the trunking
- respect of the degree protection
- aesthetics improves (covering of the cut and not or little extra thickness)

Assembly on the body by clipsage (better hangs angles with the sections).

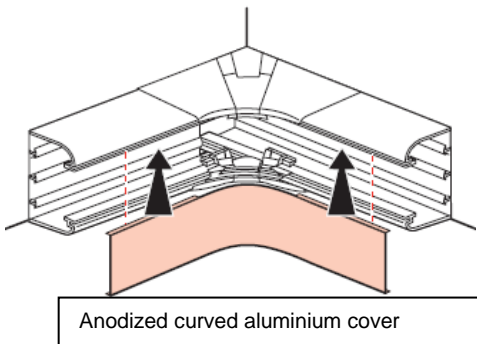
Variable interior angles of 89 with 94°.

Grey color Aluminium.

The interior angles are delivered with:

- 1 element to some extent high
- 1 element to some extent low part
- 1 or 2 anodized Aluminium curved covers according to the reference

To simplify the offer certain references of angles are delivered with junctions of partition (in the case as of profiled with several compartments)



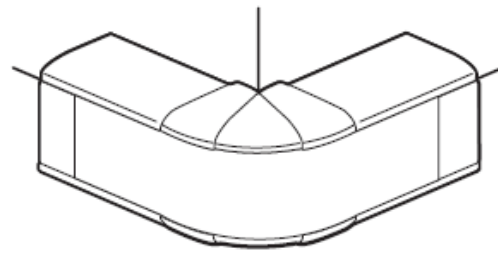
Anodized curved aluminium cover

Table of choice of the interior angles:

Reference Internal angle	To use with trunking
0 112 20	105x50 Cover 65mm
0 112 21	105x50 Cover 85mm
0 112 22	105x65 Cover 85mm
0 112 27	150x50 2 Covers 65mm
0 112 28	150x65 2 Covers 65mm
0 112 29	195x50 2 Covers 85mm
0 112 30	195x65 2 Covers 85mm

2. FINISHING ACCESSORIES (continued)

2.2 External angle ref. 0 112 31/32/38/39/40



The junction in exterior angle of two pieces of the same section:

- the cut of miter avoids on the trunking
- respect of the degree protection
- aesthetics improves (covering of the cut and not or little extra thickness)

Assembly on the body by clipsage (better hangs angles with the sections).

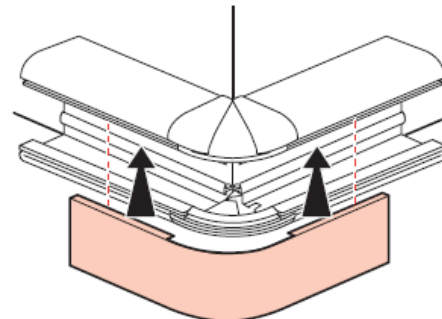
Variable exterior angles of 89 with 94°.

Grey color Aluminium.

The exterior angles are delivered with:

- 1 element to some extent high
- 1 element to some extent low part
- 1 or 2 anodized Aluminium curved covers according to the reference

To simplify the offer certain references of angles are delivered with junctions of partition (in the case as of profiled with several compartments)



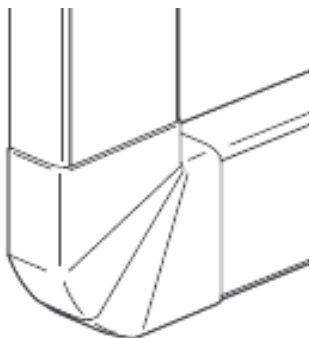
Anodized curved aluminium cover

Table of choice of the exterior angles:

Reference External angle	To use with trunking
0 112 31	105x50 Cover 65mm
0 112 32	105x50 Cover 85mm
0 112 38	150x50 2 Covers 65mm
0 112 39	150x65 2 Covers 65mm
0 112 40	195x50 2 Covers 85mm

2. FINISHING ACCESSORIES (continued)

2.3 Flat angle ref. 0 112 42/43/44/45/46/47/48.



The junction in flat angle of two same sections allows:

- the cut of miter avoids on the trunking
- respect of the degree protection
- the distribution of the various currents preserves
- aesthetics (covering of the cut) improves

Assembly on the body by clipsage.
 Grey color Aluminium.

Variable flat angles of 90° +/-2.5°

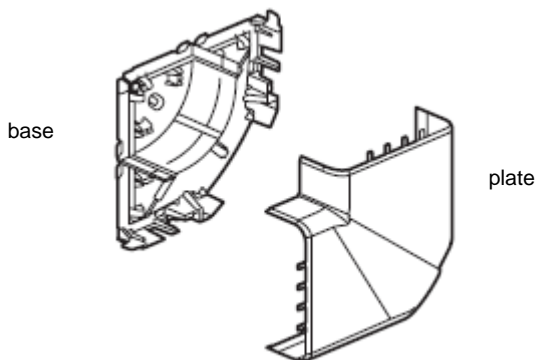
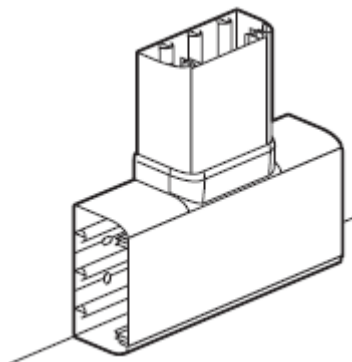


Table of choice of the flat angles:

Reference	Internal angle	To use with trunking
0 112 42		105x50 Cover 65mm
0 112 43		105x50 Cover 85mm
0 112 44		105x65 Cover 85mm
0 112 45		150x50 Cover 65/130mm
0 112 46		150x65 Cover 65/130mm
0 112 47		195x50 Cover 85/180mm
0 112 48		195x65 Cover 85/180mm

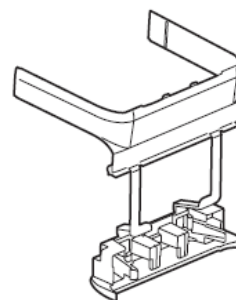
2. FINISHING ACCESSORIES (continued)

2.4 Flat junction ref. 0 112 50/51/52/53



The junction in "T" of two same sections allows.

- respect of the degree protection
 - aesthetics (covering of the cut) improves
- Assembly on the body by clipsage
 Grey color Aluminium.



0 112 50: Derivation starting from a section width 105mm allows equipped with a cover 65mm towards a section width 105mm equipped with a cover 65mm

0 112 51: Derivation starting from a section height 50mm allows towards a section width 105mm equipped with a cover 85mm

0 112 52: Derivation starting from a section height 50mm allows towards a section width 105mm equipped with a cover 65mm

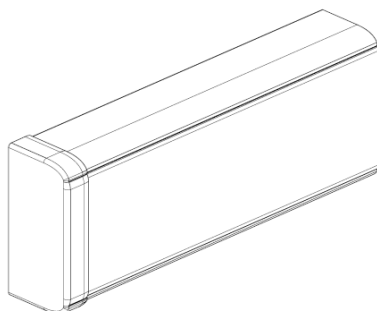
0 112 53: Derivation starting from a section height 65mm allows towards a section width 105mm equipped with a cover 85mm

Table of choice of the flat junctions:

Reference trunking	To tap-off to 105mm wide trunking equipped with a 65mm cover	To tap-off to 105mm wide trunking equipped with a 85mm cover
0 111 14	0 112 50	
0 111 00	0 112 52	0 112 51
0 111 01		0 112 53
0 111 02	0 112 52	0 112 51
0 111 03		0 112 53
0 111 04	0 112 52	0 112 51
0 111 05		0 112 53

2. FINISHING ACCESSORIES (continued)

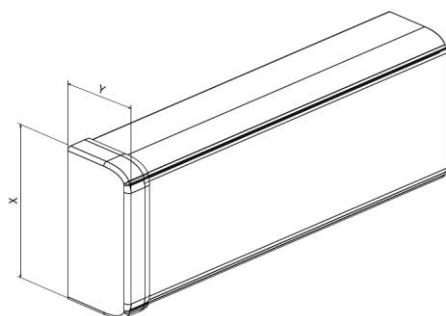
2.5 End cap ref. 0 111 15/58/59/60/61/89/90



Allows to block the end of the body:
 - respect of the degree protection
 - improvement of aesthetics (covering of the cut)
 Assembly on the body by fitment and screwing.

Grey color RAL 7035, painted in grey aluminium.

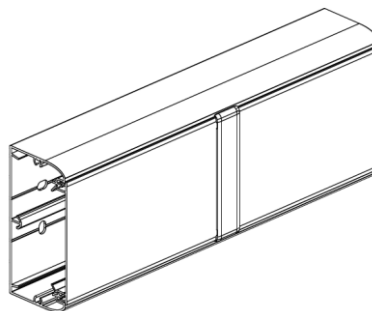
Dimensions of end caps :



References	X(mm)	Y(mm)	For ref.
0 111 15	110	54	0 111 14
0 111 58	110	54	0 111 00
0 111 59	110	69	0 111 01
0 111 60	155	54	0 111 02
0 111 61	200	54	0 111 04
0 111 89	155	69	0 111 03
0 111 90	200	69	0 111 05

2. FINISHING ACCESSORIES (continued)

2.6 Cover joint ref. 0 111 62/63



Allows:
 - the junction end to end of two of the same lids section
 - respect of the degree protection
 - to improve aesthetics (covering of the cut)

Assembly of the joint by clipsage

Grey color RAL 7035, painted in grey aluminium.

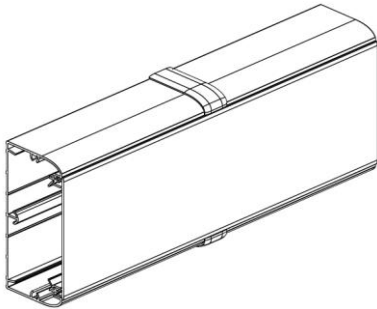
References	Cover	For ref.
0 111 62	65mm	0 111 14/02/03
0 111 63	85mm	0 111 00/01/04/05

DLP full aluminium

Number(s) : 0 111 00 à 11, 0 111 14 à 15, 0 111 58 à 0 111 63,
 0 111 66 à 70, 0 111 88 à 0 111 92, 0 112
 02/03/04/06/08/12/13/14/16/18/20/21/22/27/28/29/30/31/32/38/39/4
 0, 0 112 42 à 48, 0 112 50 à 54, 0 106 81/82, 0 109 27, 0 308 81

2. FINISHING ACCESSORIES (continued)

2.7 Body joint ref. 0 111 66/91/92

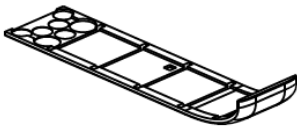


Allows:

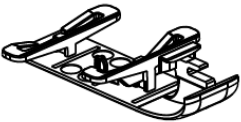
- the junction end to end of two same section
- respect of the degree protection
- to improve aesthetics (covering of the cut)

Grey color RAL 7035, painted in grey aluminium.

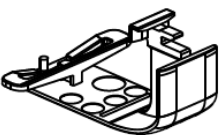
Ref 0 111 66, body joint attached with adhesive (fit at the end of installation)



Ref 0 111 92, body joint for aligning bases during installation

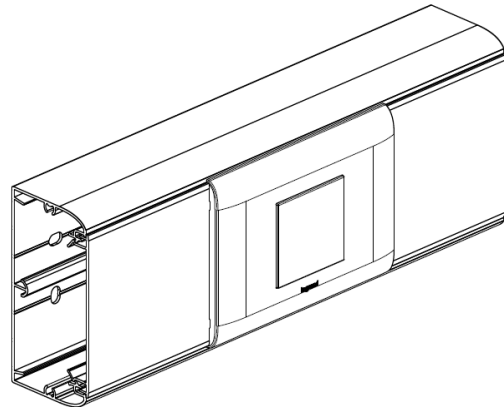


Ref 0 111 91, body joint for aligning bases during installation (for specific sizes 105x50 with cover 65mm)



3. SUPPORTS

3.1 Supports for Mosaic ref. 0 112 02/03/04/06/08/12/13/14/16/18



Supports enclipsables and juxtaposable, delivered with cover plate paints in grey completion Chrome Matt.

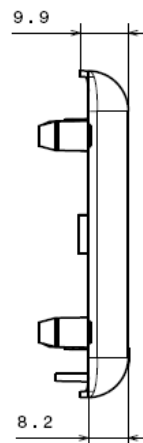
Assembly on trunking equipped with cover 65mm or 85mm with equipment Mosaic and Programme Mosaic for trunking of 2/4/6/8 modules.

Use of the supports programs Mosaic according to the covers (CV) of the trunking:

	Supp 2 mod.	Supp 3 mod.	Supp 4 mod.	Supp 6 mod.	Supp 8 mod.
CV 65mm	011202	011203	011204	011206	011208
CV 85mm	011212	011213	011214	011216	011218

Dimensions of supports :

Thickness of cover plates



DLP full aluminium

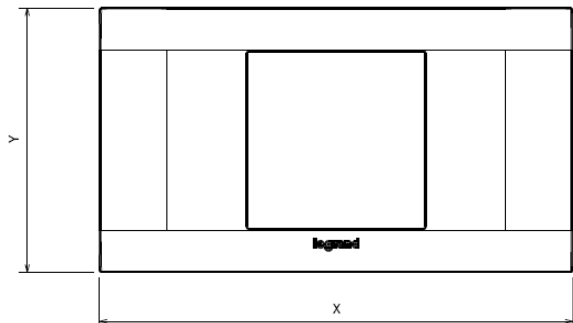
Number(s) : 0 111 00 à 11, 0 111 14 à 15, 0 111 58 à 0 111 63,
 0 111 66 à 70, 0 111 88 à 0 111 92, 0 112
 02/03/04/06/08/12/13/14/16/18/20/21/22/27/28/29/30/31/32/38/39/4
 0, 0 112 42 à 48, 0 112 50 à 54, 0 106 81/82, 0 109 27, 0 308 81

3. SUPPORTS (continued)

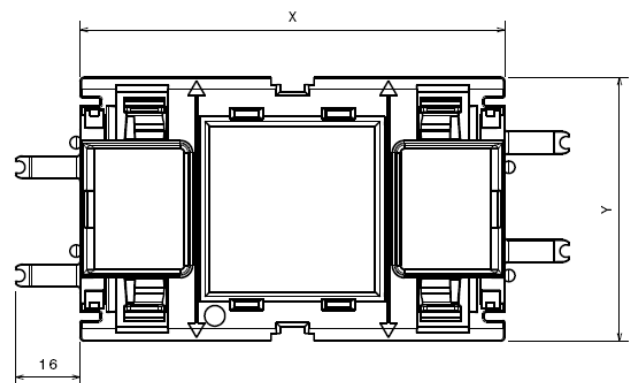
3.1 Supports for Mosaic ref. 0 112 02/03/04/06/08/12/13/14/16/18

Dimensions of supports :

Cover plates :



Support :



For cover 65mm.

Y (mm) = cover plates width 67.5mm, supports width 64.5mm.

	2 mod. 011202	3 mod. 011203	4 mod. 011204	6 mod. 011206	8 mod. 011208
support X(mm)	104	126.6	149.2	194.4	239.6
plate X(mm)	120	142.6	165.2	210.4	255.6

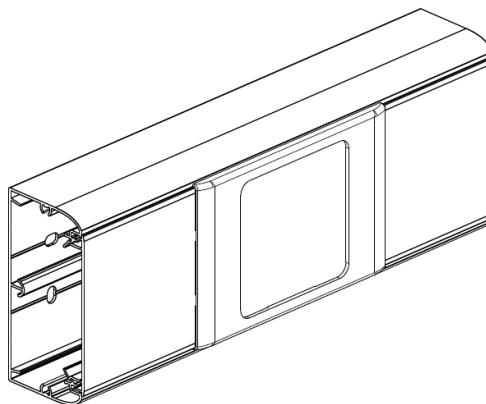
For cover 85mm.

Y(mm)= cover plates width 90mm, supports width 87mm.

	2 mod. 011212	3 mod. 011213	4 mod. 011214	6 mod. 011216	8 mod. 011218
support X(mm)	104	126.6	149.2	194.4	239.6
plate X(mm)	120	142.6	165.2	210.4	255.6

3. SUPPORTS (continued)

3.2 Supports for 60mm fixing centres wiring accessories
 Ref. 0 111 67/68/69/70



Supports enclipsables, delivered with cover plate completion paints in grey aluminium.

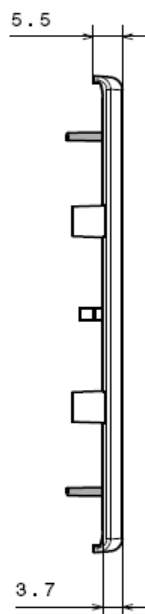
Assembly on trunking equipped with cover 85mm or 130mm with equipment 1/2/3/4 stations Programs Mosaic, Céliane, Plexo or another equipment distance between centres 60mm

Use of the supports Universal according to the covers (CV) of the trunking:

	Support 1 station.	Support 2 stations.	Support 3 stations.	Support 4 stations.
CV 85mm	0 111 67	0 111 68	0 111 69	0 111 70

Dimensions of supports :

Thickness of cover plates

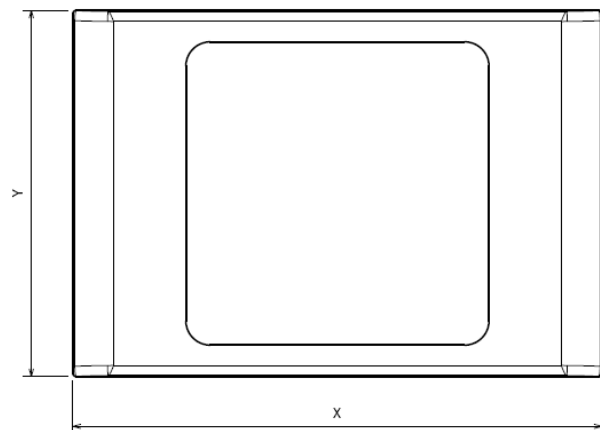


3. SUPPORTS (continued)

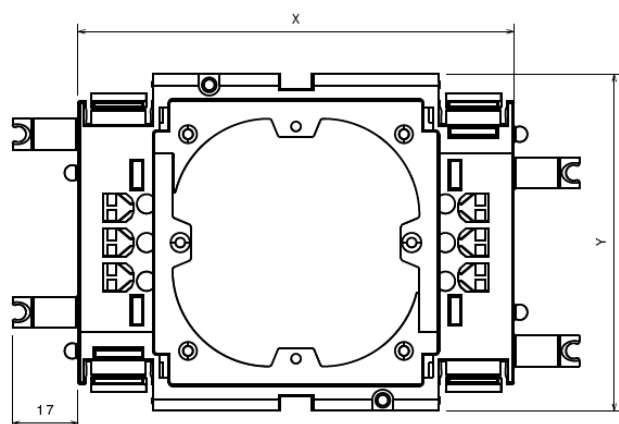
3.2 Supports for 60mm fixing centres wiring accessories
 Ref. 0 111 67/68/69/70

Dimensions of supports :

Cover plates :



Support :



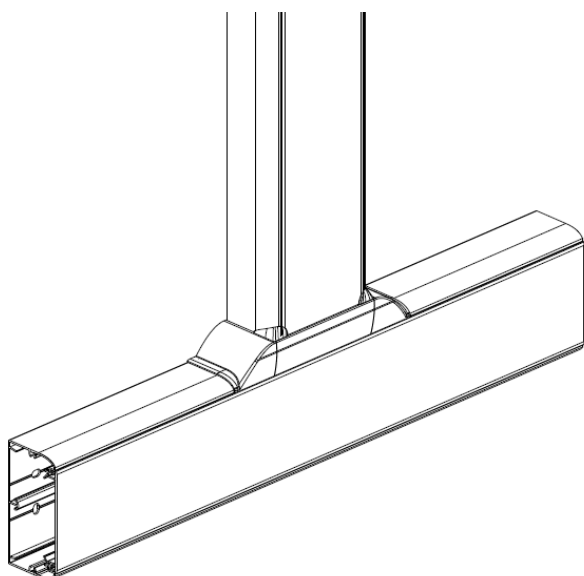
For cover 85mm.

Y(mm)= cover plates width 90mm, supports width 87mm.

	Support 1 station 0 111 67	Support 2 stations 0 111 68	Support 3 stations 0 111 69	Support 4 stations 0 111 70
plate X(mm)	130	201	272	343
support X(mm)	113	184	255	326

4. COMPLEMENTARY ACCESSORIES

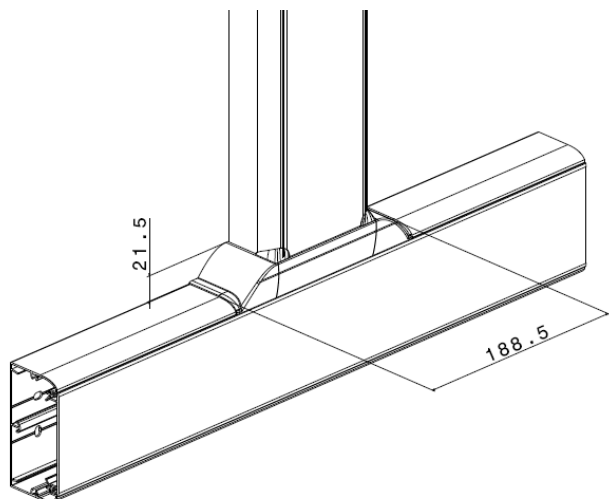
4.1 Flat junction for specific sizes ref. 0 112 54



Derivation starting from a H65mm section allows trunking section lower dimensions or equal to 65x105

Grey color RAL 7035, painted in grey aluminium.

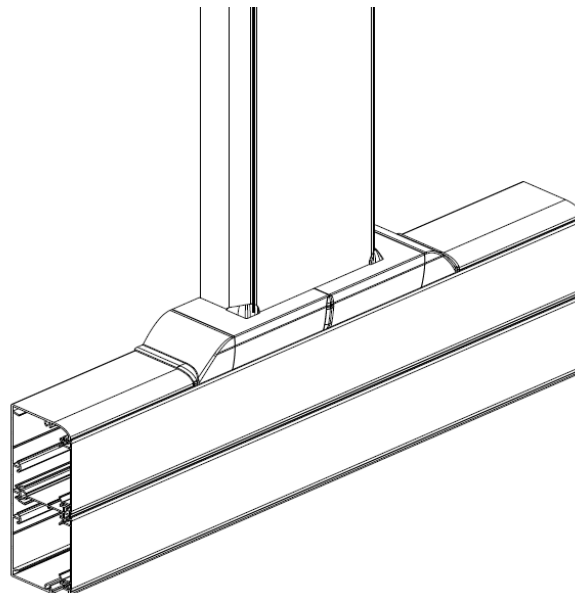
Dimensions:



4. COMPLEMENTARY ACCESSORIES (continued)

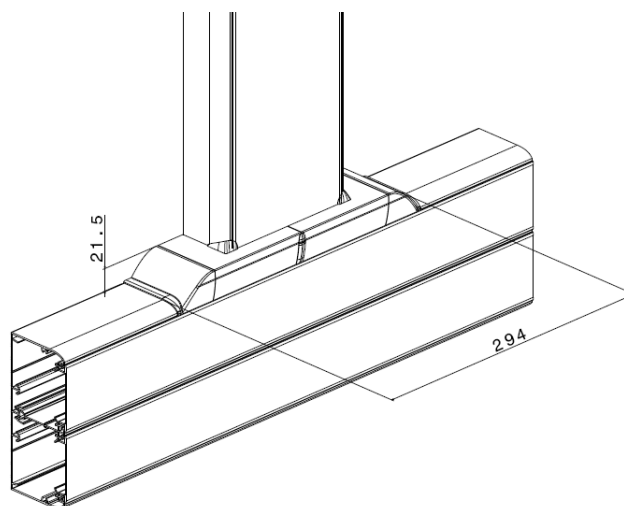
4.1 Flat junction for specific sizes ref. 0 112 54

You can derive trunking section of width higher than 105:
To use 2 derivations of body to derive trunking section 150 or 195
and 3 to derive trunking section 220



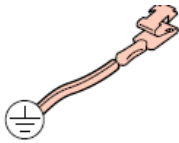
Gray color RAL 7035, painted in gray aluminium.

Dimensions:



4. COMPLEMENTARY ACCESSORIES (continued)

4.2 Earth link ref. 0 111 88.

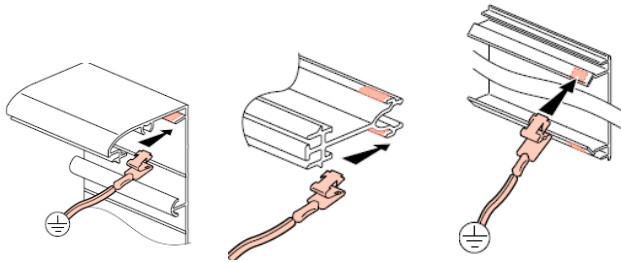


Earthing allows of the elements of the DLP Aluminium.

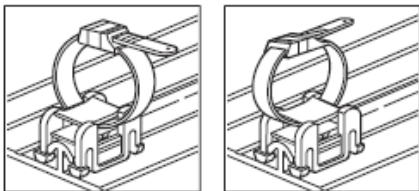
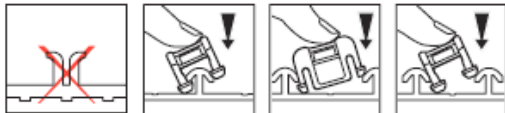
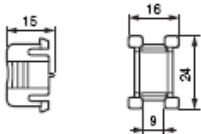
with trunking

with partition

with cover



4.3 Base for cable ties ref 0 308 81



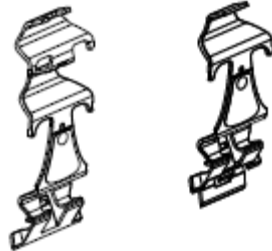
For more information concerning reference 0 308 81, to see data sheet N° F00139FR/07

4. COMPLEMENTARY ACCESSORIES (continued)

4.4 Clip ref. 0 106 81/82

Ref 0 106 82

Ref 0 106 81



Allows:

- to retain the cables inside the trunking

Assembly of the clip by clipsage inside the body of the trunking.

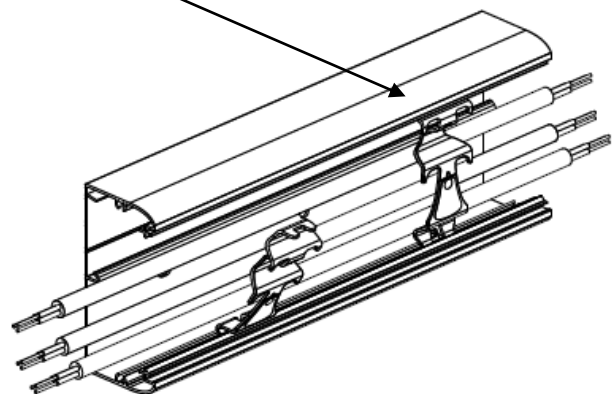
References	Cover
0 106 81	65mm
0 106 82	40/65/85mm

Grey color RAL 7016.

Attention with the use of the ref. 10681:

It is assembled in the compartments for trunking using of the covers 65mm, but it is also specific to trunking ref. 0 111 14 (it is not possible to cut the clip ref. 0 106 82 and to assemble it in this one)

The clip for maintains the cables in the trunking at the end of the installation



The clip allows the reserve of the cables under installation

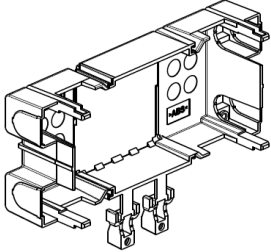
4. COMPLEMENTARY ACCESSORIES (continued)

4.5 Insulation unit ref 0 109 27

Insulation unit (ref 0 109 27) for 2 modules, can be fitted together to create 4, 6 and 8 modules supports

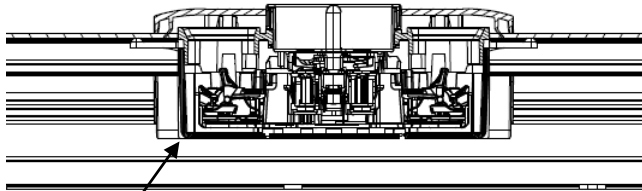
(allows the insulation of the mechanism in the trunking, assembly by clipsage on the support)

Ref 0 109 27



For information:

Assembly of a support + socket in a trunking with a insulation unit



Insulation unit

5. MATERIAL CHARACTERISTICS

The trunking covers and partitions are in anodized aluminium 6060-T5.

Plastic accessories:

The accessories below are in plastic (PVC or ABS) with painting grey color aluminium:

Flat angles ref. 0 112 42/43/44/45/46/47/48

Exterior angles ref. 0 112 31/32/38/39/40

Interior angles ref. 0 112 20/21/22/27/28/29/30

Flat junction ref. 0 112 50/51/52/53/54

End cap ref. 0 111 15/58/59/60/61/89/90

Cover joint ref. 0 111 62/63

Body joint ref. 0 111 66/91/92

Supports for Mosaic ref. 0 112 02/04/06/08/12/14/16/18

Supports 60mm fixing centres ref. 0 111 67/68/69/70

Curved Aluminium covers (delivered with the interior/external plastic angle) are in anodized aluminium 6060-T5.

6. TECHNICAL CHARACTERISTICS

Wiring capacity of DLP aluminium trunking:

	Section mm ²	Capacity	Diameter max	1,5 mm ²	2,5 mm ²	4 mm ²	6 mm ²	3x1,5 mm ²	3x2,5 mm ²	UTP & FTP CAT.6
50x105 Ref 011114 (Cover 65)	4380	Max	2 X 36	265	196	172	127	38	28	87
	2830	with Supports Mosaic	2 x 26	171	127	111	82	25	18	56
	2830	with Supports for 60mm fixing centres	2 x 26	171	127	111	82	25	18	56
	3170	with Supports LEXIC	2 x 30	192	142	125	92	28	20	63
50x105 Ref 011100 (Cover 85)	4300	Max	42	260	193	169	125	38	28	85
	2270	with Supports Mosaic	2x24	137	102	89	66	20	14	45
	1910	with Supports for 60mm fixing centres	2x19	115	85	75	55	16	12	38
	2430	with Supports LEXIC	2x21	147	109	95	70	21	15	48
50x150 Ref 011102 Compartment1 (Cover 65)	2930	Max	42	177	131	115	85	26	19	58
	1380	with Supports Mosaic	18	83	62	54	40	12	9	27
	1380	with Supports for 60mm fixing centres	18	83	62	54	40	12	9	27
	1720	with Supports LEXIC	24	104	77	67	50	15	11	34
50x150 Ref 011102 Compartment2 (Cover 65)	2930	Max	42	177	131	115	85	26	19	58
	1380	with Supports Mosaic	18	83	62	54	40	12	9	27
	1380	with Supports for 60mm fixing centres	18	83	62	54	40	12	9	27
	1720	with Supports LEXIC	24	104	77	67	50	15	11	34
50x195 Ref 011104 Compartment1 (Cover 85)	3940	Max	42	238	177	155	114	35	25	78
	1910	with Supports Mosaic	26	115	85	75	55	16	12	38
	1280	with Supports for 60mm fixing centres	18	77	57	50	37	11	8	25
	2070	with Supports LEXIC	24	125	93	81	60	18	13	41
50x195 Ref 011104 Compartment2 (Cover 85)	3940	Max	42	238	177	155	114	35	25	78
	1910	with Supports Mosaic	26	115	85	75	55	16	12	38
	1280	with Supports for 60mm fixing centres	18	77	57	50	37	11	8	25
	2070	with Supports LEXIC	24	125	93	81	60	18	13	41

DLP full aluminium.

Number(s) : 0 111 00 à 11, 0 111 14 à 15, 0 111 58 à 0 111 63,
0 111 66 à 70, 0 111 88 à 0 111 92, 0 112
02/03/04/06/08/12/13/14/16/18/20/21/22/27/28/29/30/31/32/38/39/4
0, 0 112 42 à 48, 0 112 50 à 54, 0 106 81/82, 0 109 27, 0 308 81

6. TECHNICAL CHARACTERISTICS (continued)

Classification of DLP aluminium trunking (standard EN 50085-2-1)

6.2 Resistance to impact for installation and application	2.0J
6.3 Minimum storage and transport temperature	- 25°C
6.3 Minimum installation and application temperature	+ 15°C
6.3 Maximum application temperature	+ 60°C
6.4 Resistance to flame propagation	Non-flame propagating
6.5 Electrical continuity characteristic	With electrical continuity characteristic
6.6 Electrical insulating characteristic	Without electrical insulating characteristic
6.7 Degrees of protection provided by enclosure	IP40
6.9 The system access cover retention	With a tool
6.101 The position when surface mounted	Wall fixed Wall fixed and supporting with height spacer ref 10580
6.102 The functions provided	Type 1
Against mechanical shocks	IK 07

Impédance = 5 mOhm/m

Compositions and functions for DLP aluminium trunking (1 system/line)

Trunking	DLP aluminium trunking		End cap
	references body/cover	Section (mm ²)	
105x50	0 111 14/0 111 10	4380	0 111 15
105x50	0 111 00/0 111 11	4300	0 111 58
105x65	0 111 01/0 111 11	5740	0 111 59
150x50	0 111 02/2 x 0 111 10	2 x 2930	0 111 60
150x65	0 111 03/2 x 0 111 10	2 x 3960	0 111 89
195x50	0 111 04/2 x 0 111 11	2 x 3940	0 111 61
195x65	0 111 05/2 x 0 111 11	2 x 5310	0 111 90